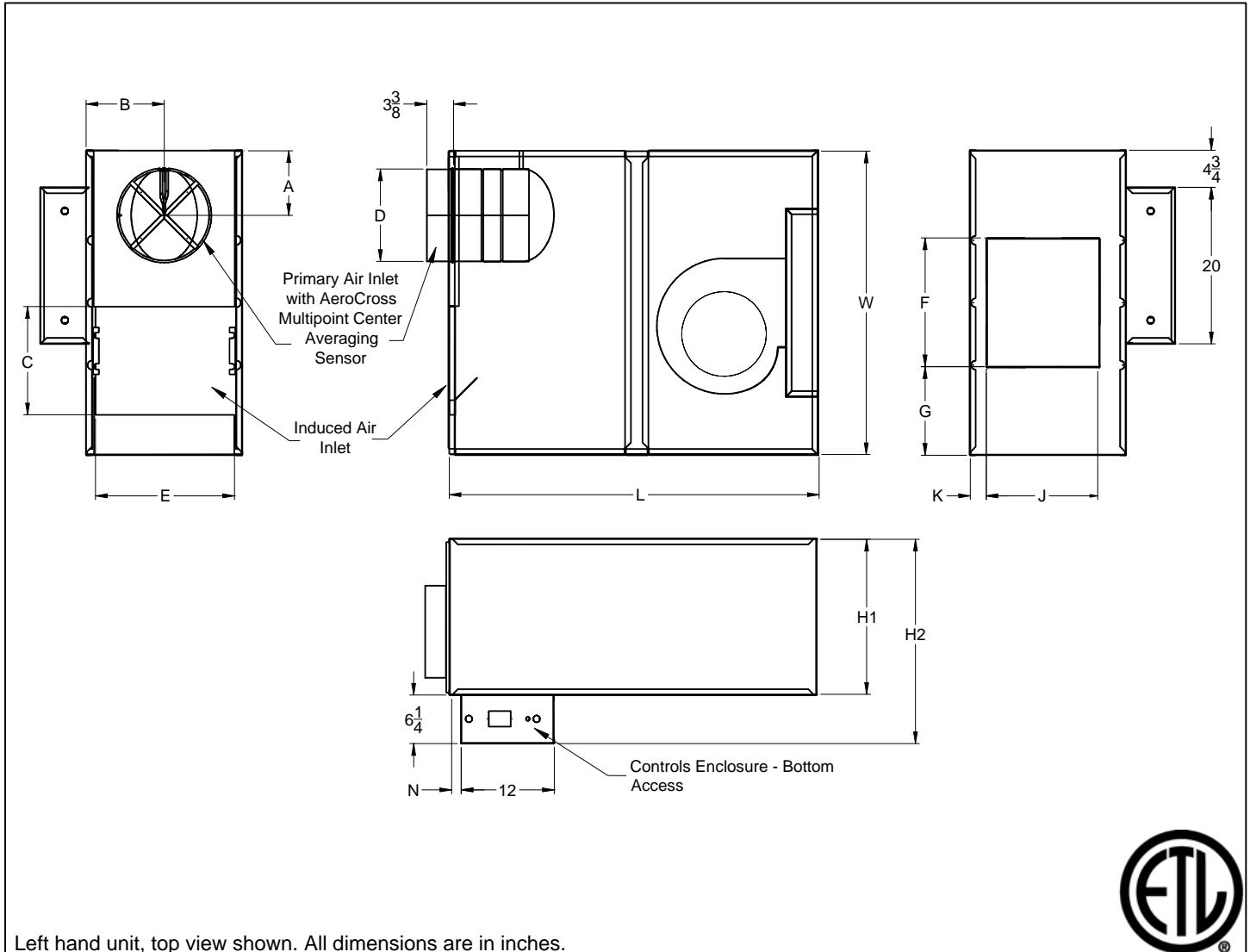


DTFS with Bottom Control Panel

Fan Powered Terminal, Series Flow

Direct Digital Control, Pressure Independent

(Unit sizes A & G each have separate submittals due to construction differences.)



Left hand unit, top view shown. All dimensions are in inches.



Unit Size	Inlet Size	A	B	C	D	E	F	G	H1	H2	J	K	L	N	W	Filter Size
B	6	6	8	12 1/2	5 7/8	14 1/4	14 1/8	11 1/2	16	22 1/4	11 1/8	2 1/4	43	1/2	37	16 x 14
	8	6			7 7/8									1/2		
	10	7			9 7/8									1 1/2		
	12	8			11 7/8									1 1/2		
C	6	6	8	12 1/2	5 7/8	14 1/4	14 1/8	11 1/2	16	22 1/4	11 1/8	2 1/4	43	1/2	37	16 x 14
	8	6			7 7/8									1/2		
	10	7			9 7/8									1 1/2		
	12	8			11 7/8									1 1/2		
D	10	7	10	12	9 7/8	18 1/4	16 1/2	11 1/4	20	26	14 5/8	2	47 1/2	1 1/2	39	14 x 18
	12	8			11 7/8									1 1/2		
	14	10			13 7/8									2 1/2		
	16	11			15 7/8									2 1/2		
E	12	8	10	12	11 7/8	18 1/4	16 1/2	11 1/4	20	26	14 5/8	2	47 1/2	1 1/2	39	14 x 18
	14	10			13 7/8									2 1/2		
	16	11			15 7/8									2 1/2		

Motor Amperage Ratings

Unit Size	Motor hp	120/1/60 FLA	208/240/1/60 FLA	277/1/60 FLA
B	1/6	2.3	0.9	0.8
C	1/4	4.0	1.8	1.4
D	1/3	8.5	3.6	3.0
E	3/4	8.6	4.2	4.5

FLA = Full Load Amperage, as tested in accordance with UL 1995

All fan motors are single phase, same voltage as electric coil (when supplied), with exception that 277V motors are used with 480V, 3 phase coils (4 wire wye).

Accessories (Optional)

Check if provided.

- | | |
|---|---|
| <input type="checkbox"/> Induced Air Filter, 1" thick, disposable construction type. | <input type="checkbox"/> 1" Fiberglass Liner |
| <input type="checkbox"/> Fan disconnect switch (not available on units with optional electric coils.) | <input type="checkbox"/> 1/2" EcoShield Liner |
| <input type="checkbox"/> Fan unit fusing | <input type="checkbox"/> 1/2" EcoShield Liner (Foil Face) |
| <input type="checkbox"/> Cam Latch for Access Door | <input type="checkbox"/> 1" EcoShield Liner |
| <input type="checkbox"/> Hanger Brackets | <input type="checkbox"/> 1" EcoShield Liner (Foil Face) |
| <input type="checkbox"/> _____ | <input type="checkbox"/> Fibre Free Liner |
| | <input type="checkbox"/> SteriLoc Liner |

Accessories (Optional) Unit sizes A & G each have separate submittals due to construction differences.

Hot Water Coil Section

- 1/2" copper tubes
- Aluminum ripple fins, 10 per inch
- Connections: Male solder, 5/8" for both 1-row and 2-row. Left hand or right hand connections.
- Galvanized steel casing
- Flanged duct connection.
- Coil is installed on discharge of unit.

1 Row

2 Row

Unit Size	M (1 row)	M (2 row)	R	S
B,C	1	1	20 1/2	12 1/2
D,E	1	1 1/4	25	17 1/2

R and S are inside dimensions.

- Electric Coil Section Optional Lynergy Controlled SCR Electric Heater

Standard Features

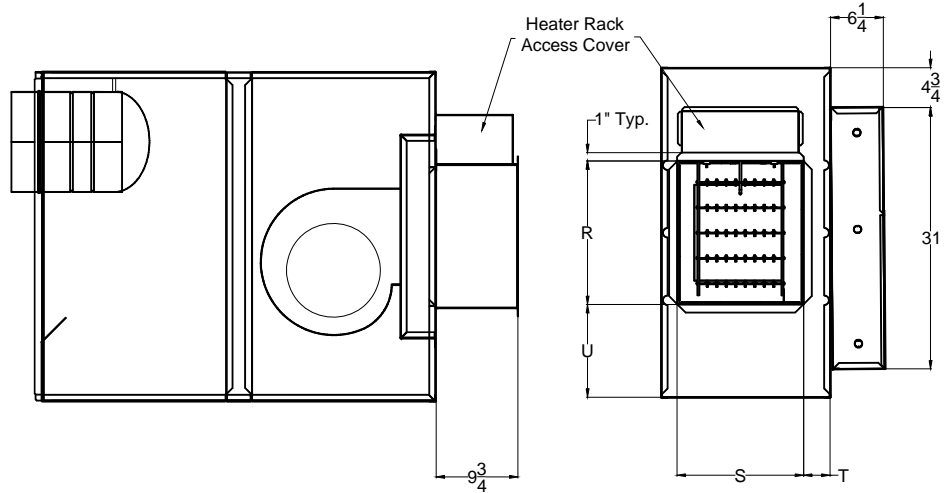
- Single side access to low voltage, high voltage, and electric heater controls.
- Automatic reset thermal cutouts, one per element
- Single point electrical connection for entire unit
- Positive pressure flow switch
- Flanged duct connection
- Coil is installed at discharge of unit.
- Transformer

Options

- Fuse Block
- Disconnect switch, door interlock type
- Manual reset cutout
- Dust tight construction
- Mercury contactors

Supply Voltage

- 208V, 1 ph, 60Hz
- 240V, 1 ph, 60Hz
- 277V, 1 ph, 60Hz
- 208V, 3 ph, 60Hz
- 480V, 3 ph, 60Hz (4 wire wye only)

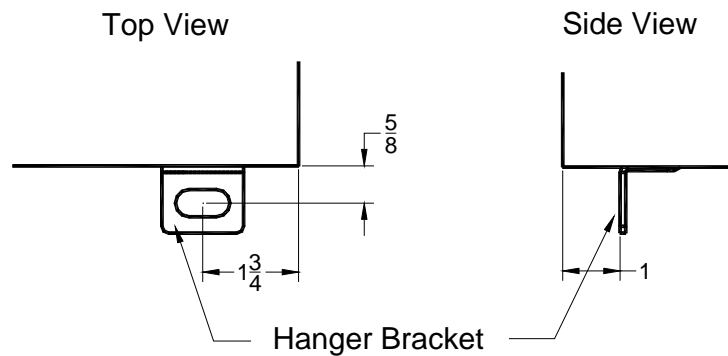


Unit Size	U	R	S	T
B,C	11 3/8	14 1/2	11 1/2	2 3/8
D,E	11	17	15	3 1/8

R and S are inside dimensions.

Accessories (Optional) Unit sizes A & G each have separate submittals due to construction differences.

Hanger Bracket Location



General Description

- Heavy steel casing, with leak resistant construction.
- Dual density insulation, coated to prevent air erosion, meet requirements of NFPA 90A and UL 181.
- Energy efficient fan motor, permanent split capacitor type, mounted in vibration isolators.
- Adjustable SCR fan speed control with minimum voltage stop.
- Top and bottom access panels can be removed for service.
- Multipoint, center averaging velocity sensor.
- Primary air flow balancing connections.
- Pressure independent primary flow control.
- Single point electrical connections.
- Rectangular discharge opening is designed for flanged duct connections.

This submittal is meant to demonstrate general dimensions of this product. The drawings are not meant to detail every aspect of the product. Drawings are not to scale. Titus reserves the right to make changes without written notice.